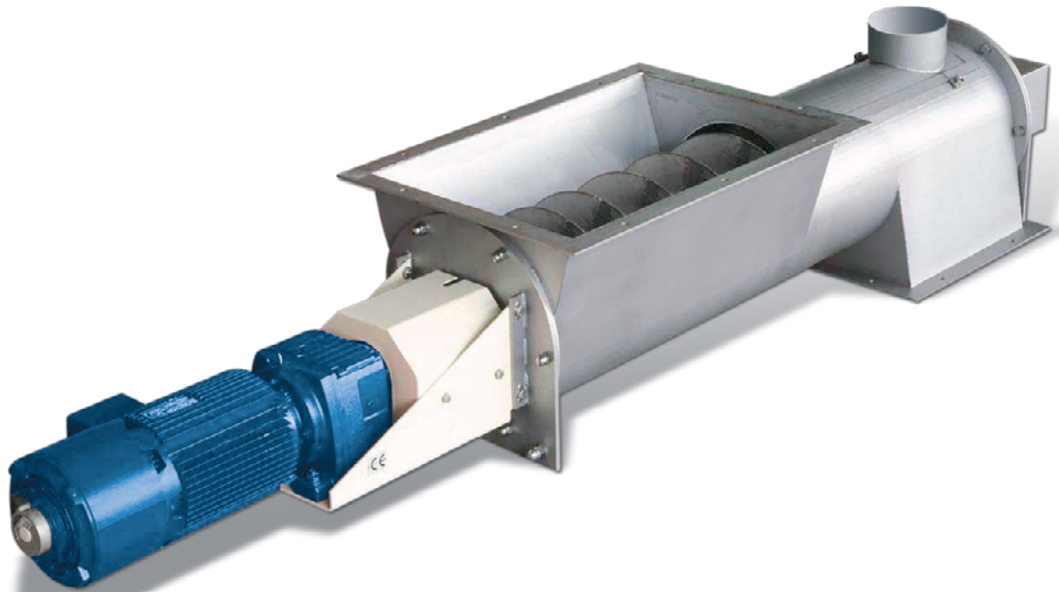


# FEEDER SCREW FOR CONDITIONER



## Feeder screw

The feeder screw designed for use with CM conditioners has a shaft with a welded-on continuous screw blade, conveying the meal into the mixer inlet. The trough is made of stainless sheet steel, and the feeder length depends on the specific plant requirements. The feeder shaft is driven by a variable

speed drive unit, suitable for a continuous control of the feeder screw speed, including the amount of feed conveyed to the mixer-conditioner. The feeder screw can be fitted on the mixer-conditioner in any of four positions at 90° intervals. The feeder screw can also be used as a bin discharger.

## Feeder screw range

Feeder diameter mm	Standard length mm	Max. power 50 Hz		Capacity 125 rpm - density 0.5
		kW	HP	
180	1000	1.5	2	10 t/h
260	1100	2.2	3	20 t/h
315	1400	3.0	4	35 t/h

**ANDRITZ FEED & BIOFUEL A/S**  
Denmark.  
Tel. +45 72160 300  
andritz-fb.dk@andritz.com

**ANDRITZ FEED & BIOFUEL B.V.**  
The Netherlands  
Tel. +31 40 2627777  
andritz-fb.nl@andritz.com

**ANDRITZ FEED & BIOFUEL**,  
Division of Andritz S.A.S., France  
Tel. 33247506364  
andritz-fb.fr@andritz.com

**ANDRITZ FEED & BIOFUEL Ltd.**  
England  
Tel. +44 1482825119  
andritz-fb.uk@andritz.com

**ANDRITZ FEED & BIOFUEL**  
eine Zweigniederlassung der Andritz GmbH.  
Germany  
Tel. +49 2104 9197-0  
andritz-fb.de@andritz.com

**ANDRITZ FEED & BIOFUEL**  
Division Of Andritz Inc. USA  
Tel. +1 570-546-1253  
andritz-fb.us@andritz.com

**ANDRITZ FEED & BIOFUEL**  
Rep. Office Venezuela  
Venezuela  
Tel. +58 241 8422515  
andritz-fb.ve@andritz.com

**ANDRITZ FEED & BIOFUEL**,  
Division of Andritz Hydro S.A. de C.V.  
Mexico  
Tel. +52 (229) 178 3669  
andritz-fb.mx@andritz.com

**ANDRITZ FEED & BIOFUEL Brasil Ltda.**  
Brasil  
Tel. +55 51 3333 0128  
andritz-fb.br@andritz.com

**ANDRITZ FEED & BIOFUEL**  
Division of Andritz Chile Ltda.  
Chile  
Tel.: +56 2214 5711  
andritz-fb.cl@andritz.com

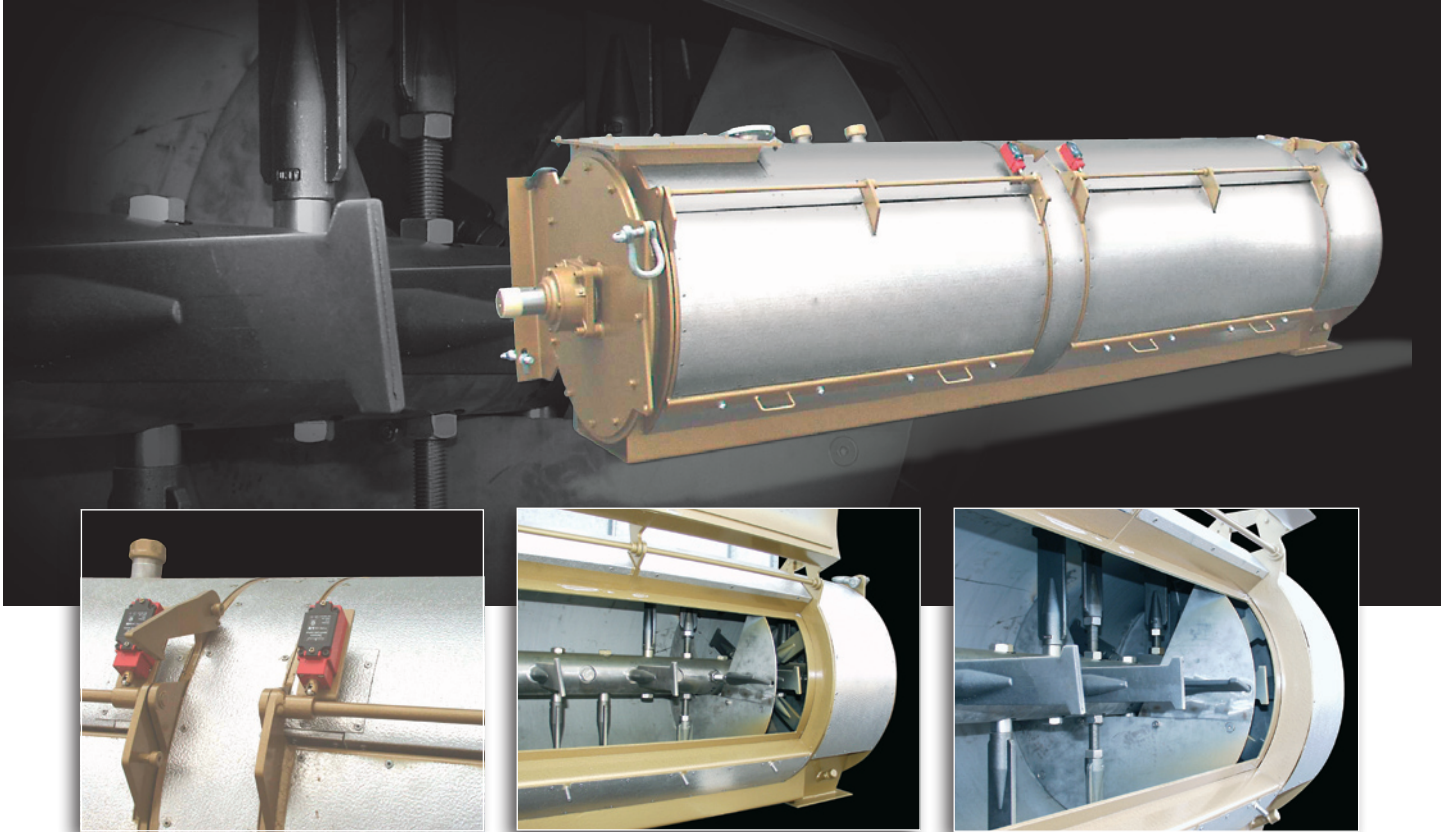
**ANDRITZ FEED & BIOFUEL**  
Division Of Andritz Pty Ltd.  
Australia  
Tel. +61 3 8795 9800  
andritz-fb.au@andritz.com

**ANDRITZ FEED & BIOFUEL**  
Rep. office Vietnam  
Tel.: +84 8 6253 9434  
andritz-fb.vi@andritz.com

**ANDRITZ FEED & BIOFUEL**  
Division Of Andritz Technologies Ltd.  
P.R. China  
Tel: +86 21 64670285  
andritz-fb.cn@andritz.com

# MIXER-CONDITIONER

## TYPE MLC1 and MLC2



**The MLC mixer conditioner is designed for continuous conditioning and optimum homogenizing of animal feed mixtures.**

Conditioning results in a desired activation of natural binders in feed ingredients by using:

**Heat – Moisture - Time**

The ANDRITZ FEED & BIOFUEL MLC mixer-conditioners provide:

- Excellent mixing and optimum retention time
- Uniform feeding to pellet mill
- Clean design stainless steel construction
- Easy inspection and cleaning
- Individually adjustable paddles
- Shaft supported by heavy bearings
- Heat insulation jacket
- Controlled steam and liquid addition
- Efficient absorption of steam and liquid additives provides optimum conditioning

**Design**

The MLC mixer-conditioner of standard execution comprises cylindrical body in stainless sheet steel. The mixer shaft is supported by heavy bearings and fitted with adjustable paddles.

Two large hinged doors provide access for inspection and cleaning purposes, and facilitate paddle adjustment or changing operation.

An adjustable weir plate is provided to permit the feed retention time to be adjusted.

The conditioner is supplied complete mounted with motor, V-belt drive and safety guard.

Optionally supply: Frequency converter for the drive motor, adaptor spout to be fitted between outlet and pellet mill inlet and sealing brush dependent on pellet mill type

**Controlled steam and liquid addition**

In the MLC mixer –conditioner mixed stock can be further mixed, conditioned and homogenized by the addition of steam, molasses and/or liquids or semi-liquids.

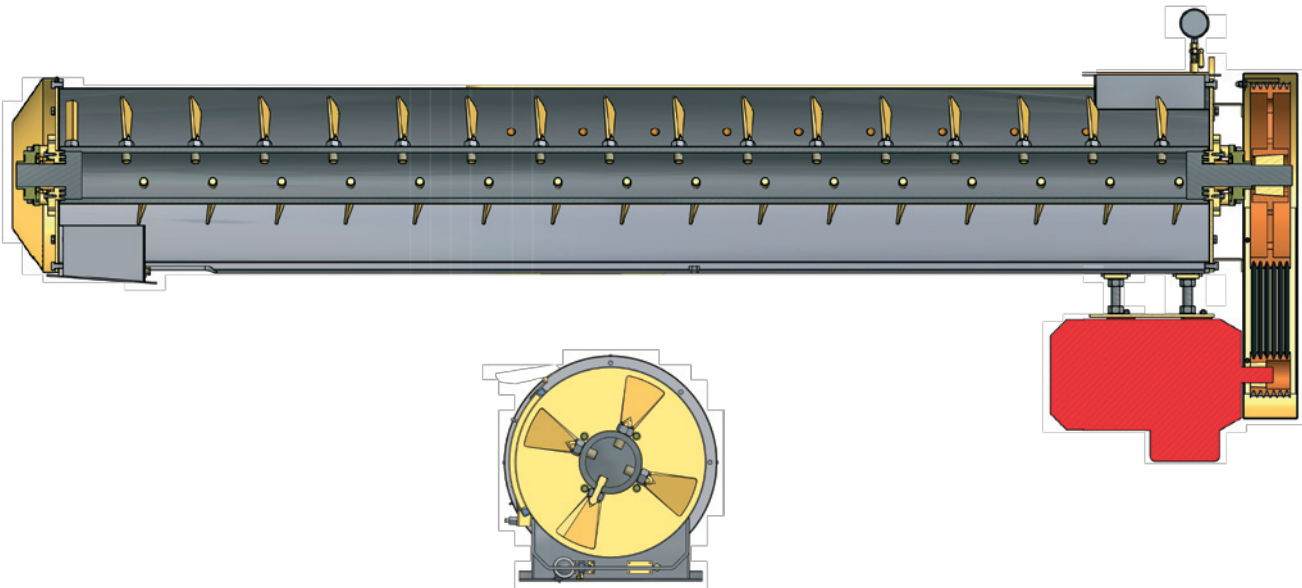
The mixer-conditioner is fitted with a double inlet pipe for steam and liquid.

Dependent on specific plant requirements, steam can be injected in the lower part of the mixer body.

# MIXER-CONDITIONER

## TYPE MLC1 and MLC2

### Technical Description



### MLC conditioner range

Conditioner type	Length mm	Diameter mm	Volume		Paddles Number	Max Power 50 Hz		Weight kgs
			Litres	C.F.		kW	HP	
MLC1	3000	650	990	35	40	30	40	1800
MLC2	3660	710	1420	50	44	30	40	2400

**ANDRITZ FEED & BIOFUEL A/S**  
Denmark  
Tel. +45 72160 300  
andritz-fb.dk@andritz.com

**ANDRITZ FEED & BIOFUEL B.V.**  
The Netherlands  
Tel. +31 40 2627777  
andritz-fb.nl@andritz.com

**ANDRITZ FEED & BIOFUEL,**  
Division of Andritz S.A.S., France  
Tel. 33247506364  
andritz-fb.fr@andritz.com

**ANDRITZ FEED & BIOFUEL Ltd.**  
England  
Tel. +44 1482825119  
andritz-fb.uk@andritz.com

**ANDRITZ FEED & BIOFUEL**  
eine Zweigniederlassung der Andritz GmbH,  
Germany  
Tel. +49 2104 9197-0  
andritz-fb.de@andritz.com

**ANDRITZ FEED & BIOFUEL**  
Division Of Andritz Inc. USA  
Tel. +1 5705468211  
andritz-fb.us@andritz.com

**ANDRITZ FEED & BIOFUEL**  
Rep. Office Venezuela  
Venezuela  
Tel. +58 241 8422515  
andritz-fb.ve@andritz.com

**ANDRITZ FEED & BIOFUEL,**  
Division of Andritz Hydro S.A. de C.V.  
Mexico  
Tel. +52 (229) 178 3669  
andritz-fb.mx@andritz.com

**ANDRITZ FEED & BIOFUEL Brasil Ltda.**  
Brasil  
Tel. +55 51 3333 0128  
andritz-fb.br@andritz.com

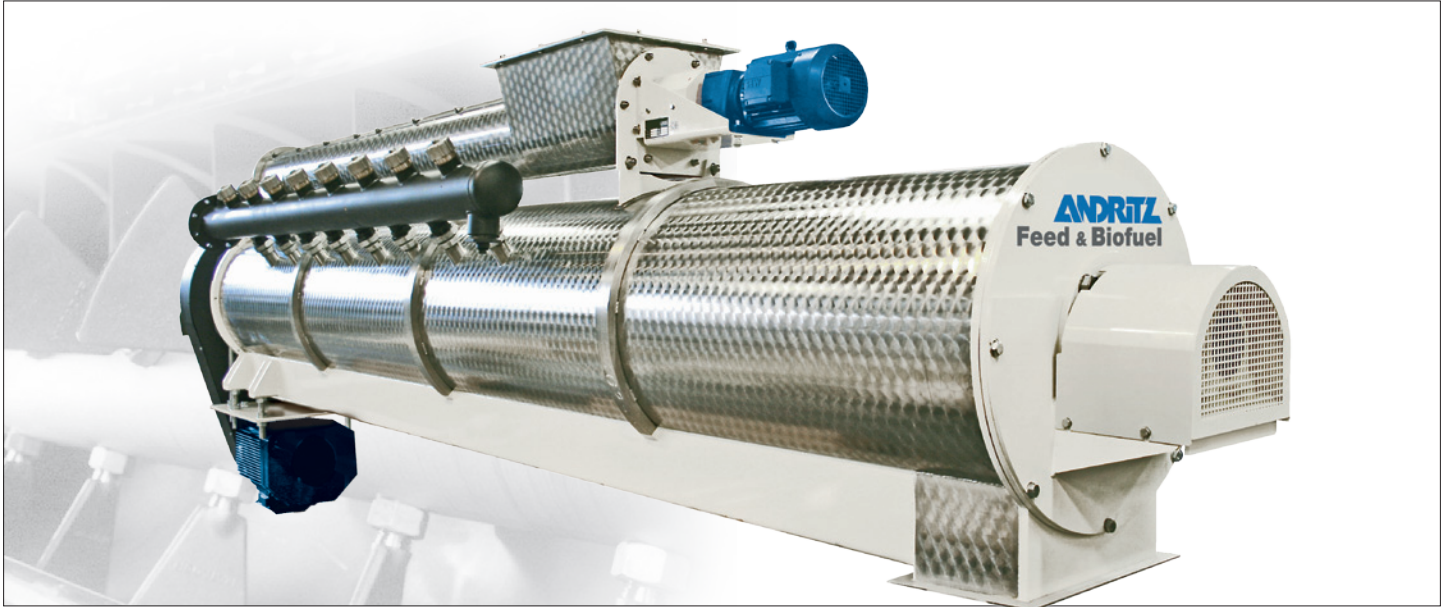
**ANDRITZ FEED & BIOFUEL**  
Division of Andritz Chile Ltda.  
Chile  
Tel.: +56 2214 5711  
andritz-fb.cl@andritz.com

**ANDRITZ FEED & BIOFUEL**  
Division Of Andritz Pty Ltd.  
Australia  
Tel. +61 3 8795 9800  
andritz-fb.au@andritz.com

**ANDRITZ FEED & BIOFUEL**  
Rep. office Vietnam  
Tel.: +84 8 6253 9434  
andritz-fb.vi@andritz.com

**ANDRITZ FEED & BIOFUEL**  
Division Of Andritz Technologies Ltd.  
P.R. China  
Tel: +86 21 64670285  
andritz-fb.cn@andritz.com

# CONDITIONER TYPE CM



## Optimizes pellet quality

The correct conditioning of a feed compound for pelleting/extrusion is necessary in order to obtain a good pellet quality and an effective utilization of the pelleting/extrusion installation.

Conditioning results in a desired activation of natural binders in feed ingredients by using:

### Heat – Moisture - Time

ANDRITZ FEED & BIOFUEL conditioners provide:

- Excellent mixing and optimum retention time
- Uniform feeding to pellet mill or extruder
- Clean design stainless steel construction
- Easy inspection and cleaning
- Wide paddles - individually adjustable
- Large-diameter shaft for max filling and mixing efficiency
- Unique multiple orifice steam injection manifold
- Controlled steam and liquid addition
- Efficient absorption of steam and liquid additives provides optimum conditioning

## Design

The large volume conditioner has a large diameter shaft with individually adjustable stainless steel paddles ensuring max filling and mixing efficiency.

The shaft is mounted in pedestal bearings containing oil-seals ensuring long lifetime.

The stainless steel trough possesses easily accessible cleaning and service hatches.

The conditioner has an integrated steam manifold including scale valves over the whole length of the trough.

The conditioner can be supplied complete mounted with motor, V-belt drive and safety guard.

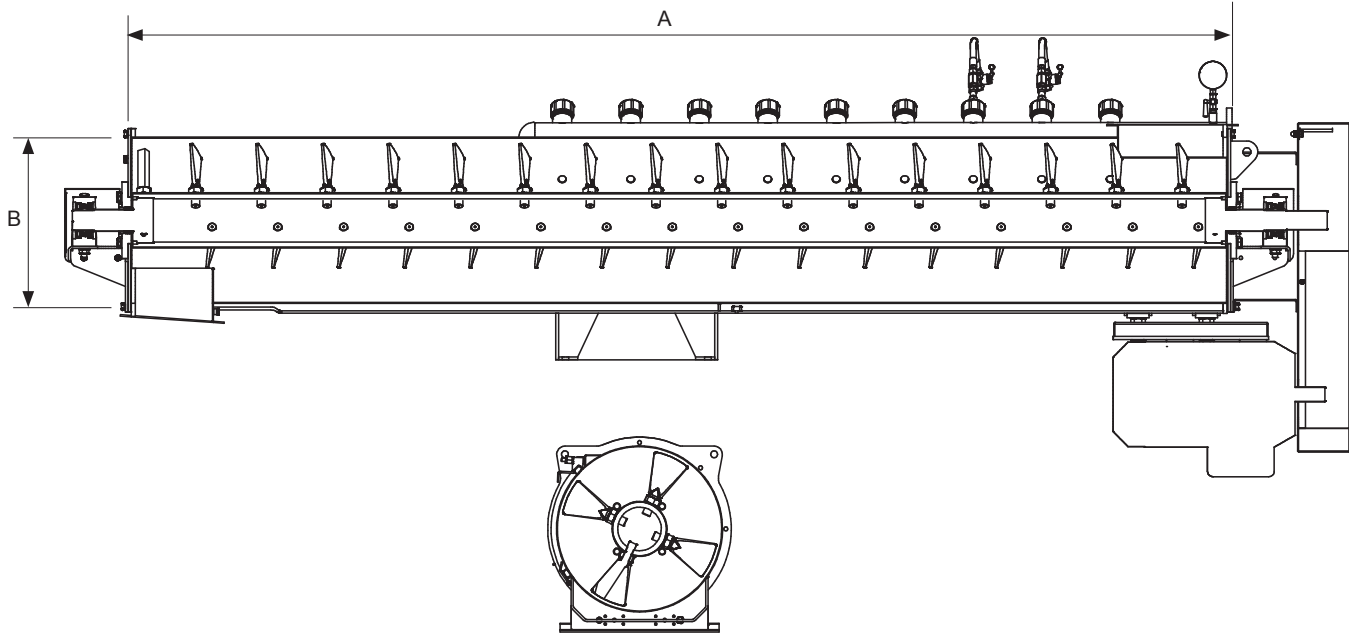
## Controlled steam and liquid addition

The unique multiple orifice steam injection manifold distributes steam to the raw material depending on the absorption capacity of the compound. Via injection nozzles molasses, fat etc. are added ensuring optimum absorption of steam and liquid additives thus giving maximum temperature and homogeneity in the conditioned compound.

The ability of the conditioner to effectively mix raw materials and liquids makes it suitable for a wide range of mixing processes in pelleting and extrusion plants.

# CONDITIONER TYPE CM

## Technical description



## Conditioner CM range

Conditioner type	A mm	B mm	Volume		Steam inlet Number	Max Power 50 Hz		Weight kgs
			Litres	C.F.		kW	HP	
CM12	2000	400	220	7,7	6x1	7,5	10	600
CM701	2500	500	420	14.9	7 x 1"	11	15	850
CM901/CM30	3000	600	750	26.4	9 x 1"	15/11	20/15	1100
CM901K	4000	600	1000	35.3	9 x 1"	18,5	25	1250
CM1101	3500	750	1370	48.4	8 x 2"	22	30	1500
CM1101K	5000	750	1960	69.2	8 x 2"	30	40	2000

**ANDRITZ FEED & BIOFUEL A/S**  
Denmark.  
Tel. +45 72160 300  
andritz-fb.dk@andritz.com

**ANDRITZ FEED & BIOFUEL B.V.**  
The Netherlands  
Tel. +31 40 2627777  
andritz-fb.nl@andritz.com

**ANDRITZ FEED & BIOFUEL,**  
Division of Andritz S.A.S., France  
Tel. 33247506364  
andritz-fb.fr@andritz.com

**ANDRITZ FEED & BIOFUEL Ltd.**  
England  
Tel. +44 1482825119 ·  
andritz-fb.uk@andritz.com

**ANDRITZ FEED & BIOFUEL**  
eine Zweigniederlassung der Andritz GmbH.  
Germany  
Tel. +49 2104 9197-0  
andritz-fb.de@andritz.com

**ANDRITZ FEED & BIOFUEL**  
Division Of Andritz Inc. USA  
Tel. +1 570-546-1253  
andritz-fb.us@andritz.com

**ANDRITZ FEED & BIOFUEL**  
Rep. Office Venezuela  
Venezuela  
Tel. +56 241 8422515  
andritz-fb.ve@andritz.com

**ANDRITZ FEED & BIOFUEL,**  
Division of Andritz Hydro S.A. de C.V.  
Mexico  
Tel. +52 (229) 178 3669  
andritz-fb.mx@andritz.com

**ANDRITZ FEED & BIOFUEL Brasil Ltda.**  
Brasil  
Tel. +55 51 3333 0128 ·  
andritz-fb.br@andritz.com

**ANDRITZ FEED & BIOFUEL**  
Division of Andritz Chile Ltda.  
Chile  
Tel.: +56 2214 5711  
andritz-fb.cl@andritz.com

**ANDRITZ FEED & BIOFUEL**  
Division Of Andritz Pty Ltd.  
Australia  
Tel. +61 3 8795 9800  
andritz-fb.au@andritz.com

**ANDRITZ FEED & BIOFUEL**  
Rep. office Vietnam  
Tel.: +84 8 6253 9434  
andritz-fb.vi@andritz.com

**ANDRITZ FEED & BIOFUEL**  
Division Of Andritz Technologies Ltd.  
P.R. China  
Tel: +86 21 64670285  
andritz-fb.cn@andritz.com

# CONDITIONER

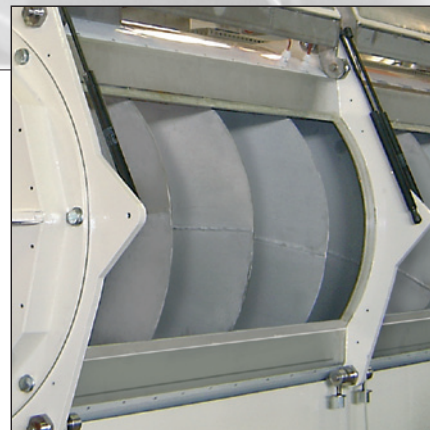
## TYPE CRT1101 + 1101K



CRT1101K

The ANDRITZ FEED & BIOFUEL CRT conditioner is designed to be mounted directly above the pellet mill / extruder.

Correct conditioning of a feed compound for pelleting / extrusion is necessary to obtain high-quality pellets and efficient utilization of the pelleting / extrusion installation.

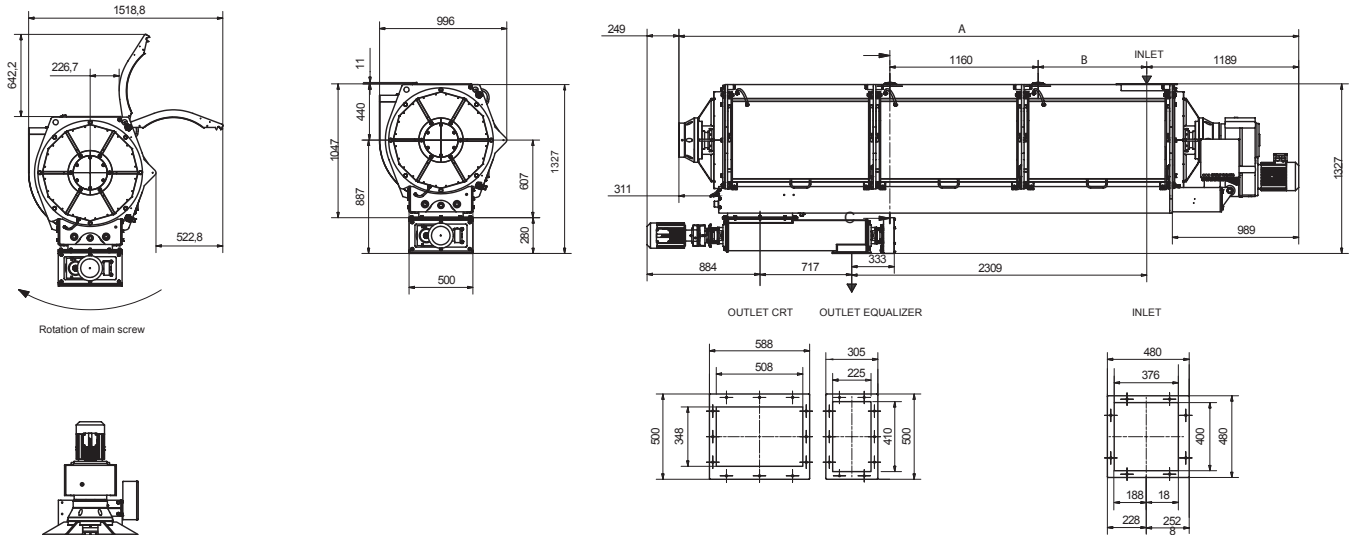


*The CRT conditioners provide:*

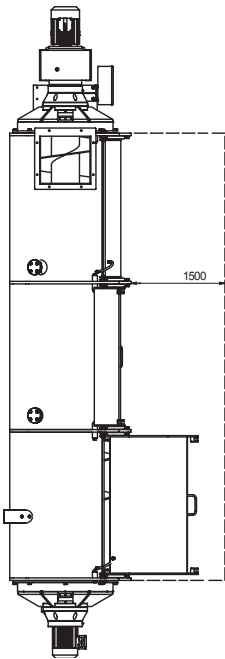
- Time for steam and other liquids to be absorbed – typically operating at 2 – 4 min.
- Pasteurization to provide sufficient time to ensure uniform distribution of heat
- Material flow: first in first out principle
- High filling degree
- Conditioning at temperatures up to 95°C
- Formatting to eliminate common salmonella strains and equivalent bacteria

- Improved pellet quality and operating characteristics
- Uniform pellet product, good absorption, few blockages and smooth running
- A self-cleaning stainless steel equalizer screw provides an even flow to the pellet mill
- Total process monitoring – real-time process control measurement of temperature and retention time can be backed up by process audit reports and management reporting

# CONDITIONER TYPE CRT1101 + 1101K



Dimension sketch example: CRT1101



## CRT conditioner range

Conditioner type	Number of doors		Diameter mm	Max. volume		Max. power 50 Hz		Weight kg
	A	B		m <sup>3</sup>	C.F.	kW	HP	
CRT1101	4850	850	750	1.269	36	4	5.5	2195
CRT1101K	6010	838	750	1.728	49	4	5.5	2561

**ANDRITZ FEED & BIOFUEL A/S**  
Denmark.  
Tel. +45 72160 300  
andritz-fb.dk@andritz.com

**ANDRITZ FEED & BIOFUEL B.V.**  
The Netherlands  
Tel. +31 40 2627777  
andritz-fb.nl@andritz.com

**ANDRITZ FEED & BIOFUEL,**  
Division of Andritz S.A.S., France  
Tel. 33247506364  
andritz-fb.fr@andritz.com

**ANDRITZ FEED & BIOFUEL Ltd.**  
England  
Tel. +44 1482825119  
andritz-fb.uk@andritz.com

**ANDRITZ FEED & BIOFUEL**  
eine Zweigniederlassung der Andritz GmbH.  
Germany  
Tel. +49 2104 9197-0  
andritz-fb.de@andritz.com

**ANDRITZ FEED & BIOFUEL**  
Division Of Andritz Inc. USA  
Tel. +1 570-546-1253  
andritz-fb.us@andritz.com

**ANDRITZ FEED & BIOFUEL**  
Rep. Office Venezuela  
Venezuela  
Tel. +58 241 8422515  
andritz-fb.ve@andritz.com

**ANDRITZ FEED & BIOFUEL,**  
Division of Andritz Hydro S.A. de C.V.  
Mexico  
Tel. +52 (229) 178 3669  
andritz-fb.mx@andritz.com

**ANDRITZ FEED & BIOFUEL Brasil Ltda.**  
Brasil  
Tel. +55 51 3333 0128  
andritz-fb.br@andritz.com

**ANDRITZ FEED & BIOFUEL**  
Division of Andritz Chile Ltda.  
Chile  
Tel.: +56 2214 5711  
andritz-fb.cl@andritz.com

**ANDRITZ FEED & BIOFUEL**  
Division Of Andritz Pty Ltd.  
Australia  
Tel. +61 3 8795 9800  
andritz-fb.au@andritz.com

**ANDRITZ FEED & BIOFUEL**  
Rep. office Vietnam  
Tel.: +84 8 6253 9434  
andritz-fb.vi@andritz.com

**ANDRITZ FEED & BIOFUEL**  
Division Of Andritz Technologies Ltd.  
P.R. China  
Tel. +86 21 64670285  
andritz-fb.cn@andritz.com